

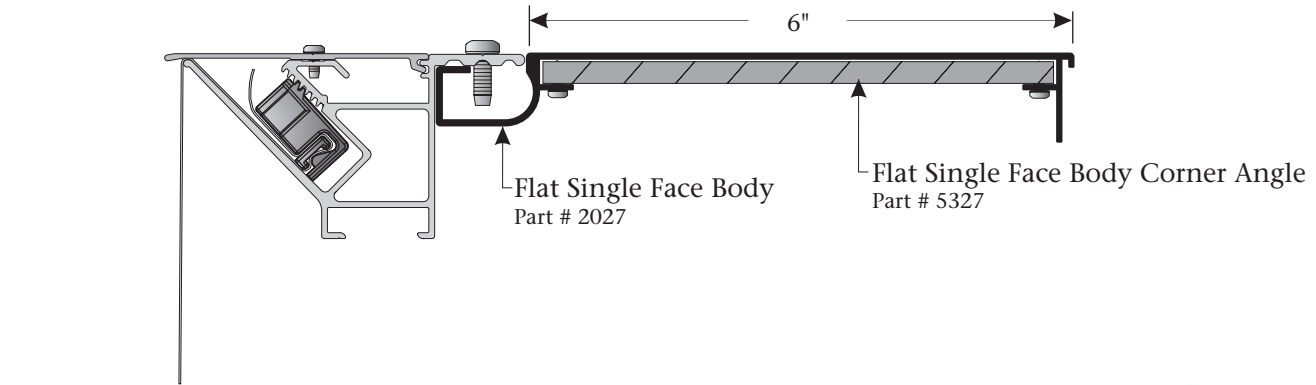


NEW PRODUCT UPDATE:

Flat Single Face Body

June 2013

| Part Number | Part | Length | Finish |
|-------------|-----------------------|--------|--------|
| 2027 | Flat Single Face Body | 24'-6" | Mill |



Features & Benefits

- Delivers a flat, smooth cabinet surface.
- Simple structural hinge for any size flex face, eliminating the need for a piano hinge.
- Frame Brace and Frame Support Tube assemblies available to reinforce tension and compression loads.
- Retainer for rigid faces available. (Part# 2204)

